

NORME  
INTERNATIONALE  
INTERNATIONAL  
STANDARD

CEI  
IEC  
60695-11-5

Première édition  
First edition  
2004-12

---

---

PUBLICATION FONDAMENTALE DE SÉCURITÉ  
BASIC SAFETY PUBLICATION

---

---

**Essais relatifs aux risques du feu –**

**Partie 11-5:  
Flammes d'essai –  
Méthode d'essai au brûleur-aiguille –  
Appareillage, dispositif d'essai de vérification  
et lignes directrices**

**Fire hazard testing –**

**Part 11-5:  
Test flames – Needle-flame test method –  
Apparatus, confirmatory test arrangement  
and guidance**



Numéro de référence  
Reference number  
CEI/IEC 60695-11-5:2004

## CONTENTS

FOREWORD.....	5
INTRODUCTION.....	11
1 Scope .....	13
2 Normative references .....	13
3 Terms and definitions .....	13
4 General description of the test .....	15
5 Description of the test apparatus.....	15
5.1 Burner.....	15
5.2 Flame.....	15
5.3 Laboratory fumehood/chamber.....	15
5.4 Specified layer.....	17
5.5 Timing device .....	17
6 Test specimen.....	17
7 Severities .....	19
8 Conditioning.....	19
9 Test procedure .....	19
9.1 Position of test specimen .....	19
9.2 Application of needle-flame.....	19
9.3 Number of test specimens.....	19
10 Observations and measurements .....	21
11 Evaluation of test results .....	21
12 Information to be given in the relevant specification.....	21
13 Test report .....	23
Annex A (normative) Confirmatory test arrangement.....	27
Annex B (informative) Access to equipment manufacturers and suppliers.....	37
Bibliography .....	39
Figure 1 – Needle burner .....	25
Figure A.1 – Copper block.....	31
Figure A.2 – Conformatory test arrangement .....	33
Figure A.3 – Gauge to measure flame height (example).....	35

## INTERNATIONAL ELECTROTECHNICAL COMMISSION

## FIRE HAZARD TESTING –

**Part 11-5: Test flames – Needle-flame test method –  
Apparatus, confirmatory test arrangement and guidance**

## FOREWORD

- 1) The International Electrotechnical Commission (IEC) is a worldwide organization for standardization comprising all national electrotechnical committees (IEC National Committees). The object of IEC is to promote international co-operation on all questions concerning standardization in the electrical and electronic fields. To this end and in addition to other activities, IEC publishes International Standards, Technical Specifications, Technical Reports, Publicly Available Specifications (PAS) and Guides (hereafter referred to as "IEC Publication(s)"). Their preparation is entrusted to technical committees; any IEC National Committee interested in the subject dealt with may participate in this preparatory work. International, governmental and non-governmental organizations liaising with the IEC also participate in this preparation. IEC collaborates closely with the International Organization for Standardization (ISO) in accordance with conditions determined by agreement between the two organizations.
- 2) The formal decisions or agreements of IEC on technical matters express, as nearly as possible, an international consensus of opinion on the relevant subjects since each technical committee has representation from all interested IEC National Committees.
- 3) IEC Publications have the form of recommendations for international use and are accepted by IEC National Committees in that sense. While all reasonable efforts are made to ensure that the technical content of IEC Publications is accurate, IEC cannot be held responsible for the way in which they are used or for any misinterpretation by any end user.
- 4) In order to promote international uniformity, IEC National Committees undertake to apply IEC Publications transparently to the maximum extent possible in their national and regional publications. Any divergence between any IEC Publication and the corresponding national or regional publication shall be clearly indicated in the latter.
- 5) IEC provides no marking procedure to indicate its approval and cannot be rendered responsible for any equipment declared to be in conformity with an IEC Publication.
- 6) All users should ensure that they have the latest edition of this publication.
- 7) No liability shall attach to IEC or its directors, employees, servants or agents including individual experts and members of its technical committees and IEC National Committees for any personal injury, property damage or other damage of any nature whatsoever, whether direct or indirect, or for costs (including legal fees) and expenses arising out of the publication, use of, or reliance upon, this IEC Publication or any other IEC Publications.
- 8) Attention is drawn to the Normative references cited in this publication. Use of the referenced publications is indispensable for the correct application of this publication.
- 9) Attention is drawn to the possibility that some of the elements of this IEC Publication may be the subject of patent rights. IEC shall not be held responsible for identifying any or all such patent rights.

International Standard IEC 60695-11-5 has been prepared by IEC technical committee 89: Fire hazard testing.

This first edition of IEC 60695-11-5 cancels and replaces the second edition of IEC 60695-2-2, issued in 1991 and its amendment 1 (1994). It also constitutes a technical revision.

The structure of this standard remains essentially the same with some major new changes and concepts added:

- The scope has been broadened to allow this test method to also simulate the effects of small flames from outside the equipment.
- A new concept has been added which allows the burner to be moved during the test to avoid dripping material from falling onto the tip of the burner tube.
- The burner tube material is now a referenced source.
- The reference for the copper block material has changed – the ISO publication (ISO 1337) has been withdrawn with no replacement. A new callout is now used.
- Informative Annex B and a bibliography have been added.

It has the status of a basic safety publication in accordance with IEC Guide 104 and ISO/IEC Guide 51.

The text of this standard is based on the following documents:

FDIS	Report on voting
89/676/FDIS	89/679/RVD

Full information on the voting for the approval of this standard can be found in the report on voting indicated in the above table.

This publication has been drafted in accordance with the ISO/IEC Directives, Part 2.

The IEC 60695-11 series, under the general title *Fire hazard testing*, consists of the following parts:

- Part 11-2: Test flames – 1 kW nominal pre-mixed flame – Apparatus, confirmatory test arrangement and guidance
- Part 11-3: Test flames – 500 W flames – Apparatus and confirmational test methods
- Part 11-4: Test flames – 50 W flame – Apparatus and confirmational test methods
- Part 11-5: Test flames – Needle flame test method – Apparatus, confirmatory test arrangement and guidance
- Part 11-10: Test flames – 50 W horizontal and vertical flame test methods
- Part 11-20: Test flames – 500 W flame test methods
- Part 11-21: Test flames – 500 W vertical flame test method for tubular polymeric materials<sup>1</sup>
- Part 11-30: Test flames – History and development from 1979 to 1999
- Part 11-40: Test flames – Confirmatory tests – Guidance

<sup>1</sup> To be published.

The committee has decided that the contents of this publication will remain unchanged until the maintenance result date indicated on the IEC web site under "<http://webstore.iec.ch>" in the data related to the specific publication. At this date, the publication will be

- reconfirmed;
- withdrawn;
- replaced by a revised edition, or
- amended.

## INTRODUCTION

The best method for testing electrotechnical products with regard to fire hazard is to duplicate exactly the conditions occurring in practice. In most instances this is not possible. Accordingly, for practical reasons, the testing of electrotechnical products with regard to fire hazard is best conducted by simulating as closely as possible the actual effects occurring in practice.

Parts of electrotechnical equipment which might be exposed to excessive thermal stress due to electric effects, the deterioration of which might impair the safety of the equipment, should not be unduly affected by heat and by fire generated within the equipment.

Parts of insulating material or of other combustible material which are liable to propagate flames inside the equipment may be ignited by flames produced by a failing component. Under certain conditions, for example a fault current flowing over a tracking path, overloading of components or parts and bad connections, flames may also occur; such flames may impinge upon combustible parts in the vicinity.

This part of IEC 60695 should be used to measure and describe the properties of materials, products or assemblies in response to heat and flame under controlled laboratory conditions and should not be used to describe or appraise the fire hazard or fire risk of materials, products, or assemblies under actual fire conditions. However, results of this test may be used as elements of a fire risk assessment which takes into account all of the factors which are pertinent to an assessment of the fire hazard of a particular end use.

This standard may involve hazardous materials, operations and equipment.

It does not purport to address all of the safety problems associated with its use.

It is the responsibility of the user of this standard to establish appropriate safety and health practices and determine the applicability of regulatory limitations prior to use.

## FIRE HAZARD TESTING –

### Part 11-5: Test flames – Needle-flame test method – Apparatus, confirmatory test arrangement and guidance

#### 1 Scope

This part of IEC 60695 specifies a needle-flame test to simulate the effect of a small flame which may result from fault conditions, in order to assess by a simulation technique the fire hazard.

It is applicable to electrotechnical equipment, its sub-assemblies and components and to solid electrical insulating materials or other combustible materials.

One of the responsibilities of a technical committee is, wherever applicable, to make use of basic safety publications in the preparation of its publications.

#### 2 Normative references

The following referenced documents are indispensable for the application of this document. For dated references, only the edition cited applies. For undated references, the latest edition of the referenced document (including any amendments) applies.

IEC Guide 104:1997, *The preparation of safety publications and the use of basic safety publications and group safety publications*

ISO/IEC Guide 51:1999, *Safety aspects – Guidelines for their inclusion in standards*

ISO/IEC 13943:2000, *Fire safety – Vocabulary*

ISO 4046-4:2002, *Paper, board, pulps and related terms – Vocabulary – Part 4: Paper and board grades and converted products*

ASTM-B187, *Standard specification for copper, bus bar, rod, and shapes and general purpose rod, bar, and shapes*

#### 3 Terms and definitions

For the purposes of this document, the terms and definitions of ISO/IEC 13943 apply.

## 4 General description of the test

### Warning

Precautions shall be taken to safeguard the health of the personnel conducting tests against:

- the risks of explosion or fire;
- the inhalation of smoke and/or toxic products;
- toxic residues.

The test is performed to determine that, under defined conditions, the test flame does not cause ignition of parts, or that a combustible part ignited by the test flame has a limited duration of burning or a limited extent of burning, without spreading fire by flames or burning or glowing particles falling from the test specimen.

This test determines the effects on the test specimen of a small flame such as may arise from other ignited components and the relevant product specification shall specify the duration of flame application and the criteria for acceptance.

## 5 Description of the test apparatus

### 5.1 Burner

The burner to produce the test flame shall consist of a tube at least 35 mm long with a bore of  $0,5 \text{ mm} \pm 0,1 \text{ mm}$  and an outer diameter not exceeding 0,9 mm.

NOTE The tubing specified in ISO 9626 [1]<sup>2</sup> (0,8 mm normal walled or thin walled) meets the requirements in this standard for an internal diameter of  $0,5 \text{ mm} \pm 0,1 \text{ mm}$  and an outside diameter no greater than 0,9 mm.

The burner is supplied with butane or propane gas having a purity of at least 95 %. There shall be no air admitted to the burner tube.

### 5.2 Flame

With the axis of the burner in the vertical position, the gas supply is adjusted so that the length of the flame is  $12 \text{ mm} \pm 1 \text{ mm}$ , when viewed in subdued light against a dark background (see Figure 1a). The flame shall be confirmed using the apparatus and procedure detailed in Annex A. The test time for the temperature to increase from  $100 \text{ }^\circ\text{C} \pm 5 \text{ }^\circ\text{C}$  to  $700 \text{ }^\circ\text{C} \pm 3 \text{ }^\circ\text{C}$  shall be  $23,5 \text{ s} \pm 1,0 \text{ s}$ .

### 5.3 Laboratory fumehood/chamber

The laboratory fumehood/chamber shall have an inside volume of at least 0,5 m<sup>3</sup>. The chamber shall provide a draught-free environment, whilst allowing normal thermal circulation of air past the test specimen. The chamber shall permit observation of the test in progress. The inside surfaces of the walls shall be of a dark colour.

<sup>2</sup> Figures in square brackets refer to the bibliography.



For safety and convenience, it is desirable that this enclosure (which can be completely closed) be fitted with an extraction device, such as an exhaust fan, to remove products of combustion, which may be toxic. The extraction device shall be turned off during the test and turned on immediately after the timing measurements have been made. A positive closing damper may be needed.

NOTE Placing a mirror in the chamber, to provide a rear view of the test specimen, has been found to be useful.

#### 5.4 Specified layer

To evaluate the possibility of spread of fire, for example by burning or glowing particles falling from the test specimen, a layer of the material or components normally surrounding or situated underneath the test specimen is placed underneath the test specimen at a distance equal to the distance between the test specimen and the surrounding material or components when the test specimen is mounted as in normal use.

If the test specimen is a sub-assembly or a component of the equipment and is tested separately, a piece of flat smooth wooden board, approximately 10 mm thick covered in close contact with a single layer of wrapping tissue, is positioned at a distance of  $200 \text{ mm} \pm 5 \text{ mm}$  below the place where the needle-flame is applied to the test specimen, unless otherwise specified in the relevant specification. Wrapping tissue as specified in 4.215 of ISO 4046-4 is a soft and strong, lightweight wrapping tissue  $12 \text{ g/m}^2$  to  $30 \text{ g/m}^2$ .

If the test specimen is a complete free-standing equipment, it is placed in its normal position of use on the tissue covered wooden board, extending for a minimum of 100 mm outside the base of the equipment in all directions.

If the test specimen is a complete wall-mounted equipment, it is fixed in its normal position of use  $200 \text{ mm} \pm 5 \text{ mm}$  above the tissue covered wooden board.

Means to fix the test specimen and the burner in position may be necessary.

#### 5.5 Timing device

The timing device shall have a tolerance of not more than 0,5 s.

### 6 Test specimen

If possible, the test specimen shall be a complete equipment, sub-assembly or component. If it is necessary to take away parts of an enclosure or to cut off a suitable part to perform the test, care shall be taken to ensure that the test conditions are not significantly different from those occurring in normal use with regard to shape, ventilation conditions, effect of thermal stresses and possible flames occurring, or burning or glowing particles falling in the vicinity of the test specimen.

If the test specimen is a suitable part cut from a larger unit, care shall be taken to ensure that in this particular case the test flame is not applied incorrectly, for example to an edge created by cutting.

If it is not possible to conduct the test on a sub-assembly or component within the equipment, the test is conducted on a test specimen removed from the equipment.

## 7 Severities

Preferred values of duration of application ( $t_a$ ) of test flame are as follows:

- 5 s, 10 s, 20 s, 30 s, 60 s, 120 s.

The tolerance for all values is  ${}^0_{-1}$  s.

NOTE The duration of application of the test flame should be chosen in relation to the characteristics of the end product.

## 8 Conditioning

If not otherwise specified in the relevant specification, the test specimen, the wooden board and the tissue paper shall be conditioned for not less than 24 h in an atmosphere having a temperature between 15 °C and 35 °C and a relative humidity between 45 % and 75 % before starting the test.

## 9 Test procedure

### 9.1 Position of test specimen

Unless otherwise specified in the relevant specification, the test specimen is arranged in a position of normal use such that ignition is most likely to occur during the test. The means to fix the test specimen shall not influence the effect of the test flame or the propagation of flames in a way other than that occurring under normal conditions of use.

### 9.2 Application of needle-flame

The test flame is applied to that part of the surface of the test specimen which is most likely to be affected by flames resulting from normal use or from fault conditions. Examples of flame test positions are shown in Figures 1b and 1c.

The duration of application of the test flame shall be as specified in the relevant specification.

The test flame is positioned so that the tip of the flame is in contact with the surface of the test specimen. The test flame is removed after the specified time.

If the test specimen drips molten or flaming material during the application of the flame, the burner may be tilted up to 45 ° from the vertical to prevent material from dripping into the burner tube while maintaining an 8 mm ± 1 mm spacing between the centre of the top of the burner and the remaining portion of the test specimen, ignoring any strings of molten material.

When required by the relevant specification, the test is applied at more than one point on the same test specimen, in which case care shall be taken to ensure that any deterioration caused by previous tests will not affect the result of the test to be conducted.

### 9.3 Number of test specimens

Unless otherwise specified in the relevant specification, the test is performed on three test specimens.

## 10 Observations and measurements

In the case of ignition of the test specimen and/or the specified layer and/or the surrounding parts, the duration of burning ( $t_b$ ) is measured and reported.

Duration of burning denotes the time interval from the moment the test flame is removed from the test specimen, until the last flames have extinguished and the glowing of the test specimen, the specified layer and/or the surrounding parts is no longer visible.

## 11 Evaluation of test results

Unless otherwise prescribed in the relevant specification, the test specimen is considered to have satisfactorily withstood the needle-flame test if one of the following situations applies:

- a) There is no flame and no glowing of the test specimen and no ignition of the specified layer or wrapping tissue.
- b) Flames or glowing of the test specimen and the surrounding parts extinguish within 30 s after the removal of the needle-flame, that is  $t_b < 30$  s. Also, the surrounding parts have not burnt away completely and there has been no ignition of the specified layer or wrapping tissue.

## 12 Information to be given in the relevant specification

The relevant specification shall indicate the following details:

- a) any conditioning, if different from that specified in Clause 8;
- b) number of test specimens, if different from that specified in 9.3;
- c) position of the test specimen (see 9.1);
- d) surface to be tested and the point of application (see 9.2);
- e) the specified layer to be used to evaluate the effect of burning or glowing particles falling from the test specimen (see 5.4);
- f) level of severity:
  - the duration of application of the test flame ( $t_a$ ) (see Clause 7) ;
- g) requirements if different from Clauses 10 and 11:
  - the permissible duration and extent of burning, considering the design and arrangements of the various parts, shields and barriers inside the equipment;
  - whether the criteria specified are sufficient to check compliance with the safety requirements, or whether further criteria should be introduced.

### 13 Test report

The test report shall include the following information:

- a) the type and description of the test specimen (see Clause 6);
- b) the method of preparation (see Clause 6);
- c) any conditioning of the test specimens (see Clause 8);
- d) the number of test specimens (see 9.3);
- e) level of severity:
  - the duration of application of the test flame ( $t_a$ ) (see Clauses 7 and 12) ;
- f) the surface tested and the point of application of the needle-flame (see 9.2);
- g) the specified layer used to evaluate the effect of burning or glowing particles falling from the test specimen (see 5.4);
- h) whether the test flame has been applied at more than one point on the same test specimen, (see 9.2); and
- i) test results (see Clauses 10 and 11).

Dimensions in millimetres

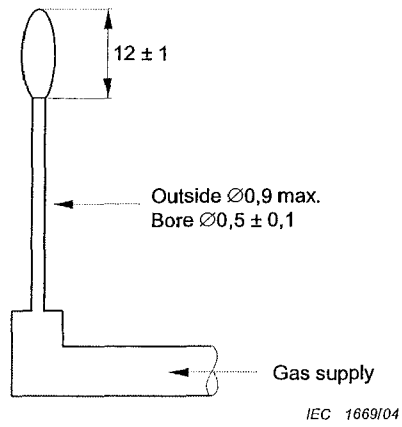


Figure 1a – Flame adjustment

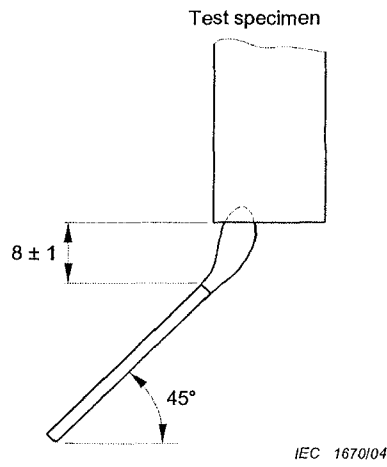


Figure 1b – Test position (example)

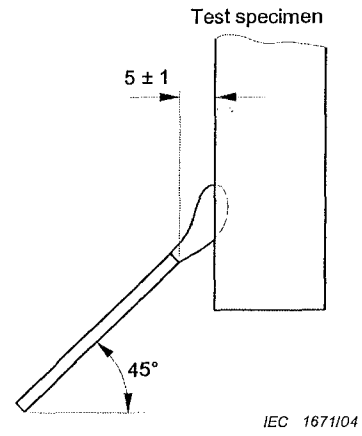


Figure 1c – Test position (example)

Figure 1 – Needle burner



## **Annex A** (normative)

### **Confirmatory test arrangement**

#### **A.1 Confirmation of the test flame – Principle**

The time for the temperature of the copper block, described in Figure A.1 to increase from  $100\text{ °C} \pm 5\text{ °C}$  to  $700\text{ °C} \pm 3\text{ °C}$  shall be  $23,5\text{ s} \pm 1,0\text{ s}$ , when the flame confirmatory test arrangement of Figure A.2 is used.

NOTE Detailed background information for the confirmation of a test flame can be found in IEC 60695-11-40 [2].

#### **A.2 Test apparatus**

##### **A.2.1 Burner**

The burner shall be in accordance with 5.1.

##### **A.2.2 Control valve**

One control valve is required to set the gas flow rate.

##### **A.2.3 Copper block**

The copper block material shall be specified as: Cu-ETP UNS C11000 (see ASTM-B187). The diameter of the copper block shall be  $4\text{ mm} \pm 0,01\text{ mm}$  with a mass of  $0,58\text{ g} \pm 0,01\text{ g}$  in the fully machined and polished but undrilled state, see Figure A.1.

##### **A.2.4 Thermocouple**

A sheathed fine wire type K (NiCr/NiAl) with an outer sheath diameter of 0,5 mm.

The preferred method of fastening the thermocouple to the copper block is by compressing the copper around the thermocouple, after first ensuring that the thermocouple is inserted to the full depth of the hole as shown in Figure A.2.

##### **A.2.5 Temperature indicating, recording and timing devices**

These devices shall be appropriate for the measurement of the time for the copper block to heat up from  $100\text{ °C} \pm 5\text{ °C}$  to  $700\text{ °C} \pm 3\text{ °C}$  with a time uncertainty of 0,1 s. The timing device shall have a tolerance of not more than 0,5 s.

### A.3 Procedure

An example of a suitable gauge for the adjustment of flame height is given in Figure A.3. The fixture shall be constructed such that it does not rest on the flame end of the burner tube nor disturb the root of the burner flame.

- Set up the confirmatory test arrangement according to Figure A.2 in a draught-free environment, ensuring leak-free gas connections.
- Temporarily remove the burner away from the copper block to ensure no influence of the flame on the copper block during the preliminary adjustment of the gas flow rate.
- Ignite the gas and adjust the gas flow rate to give a flame height of  $12 \text{ mm} \pm 1 \text{ mm}$  when viewed in subdued light against a dark background.

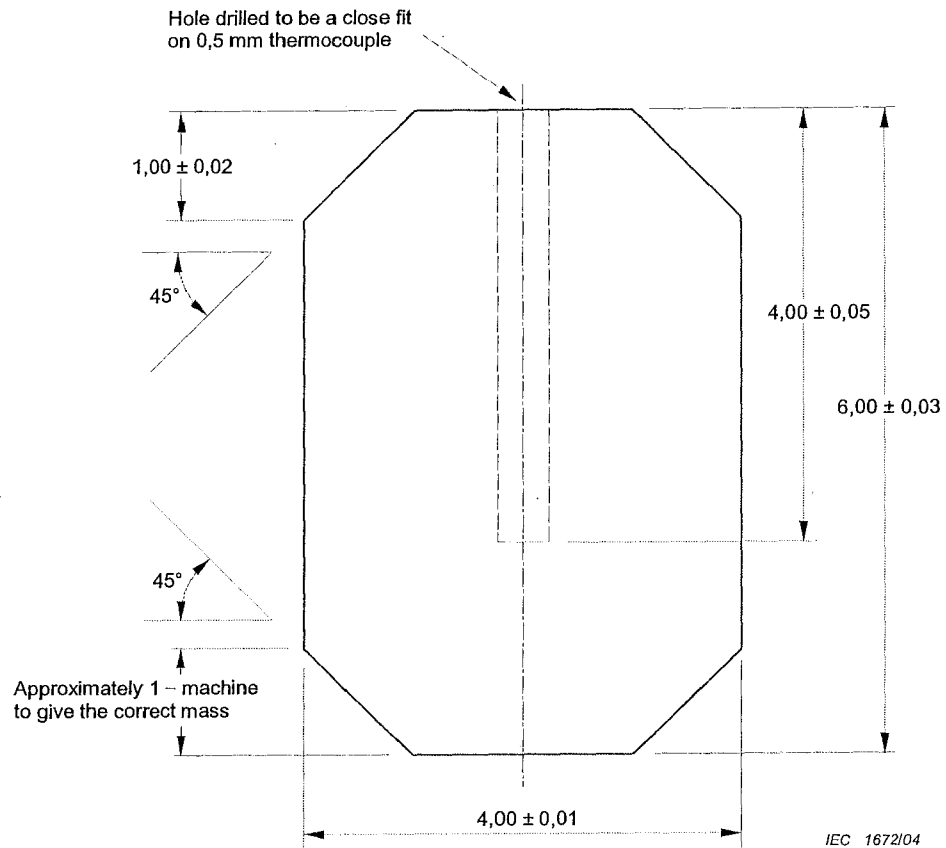
NOTE 1 In case of dispute, a light level of 20 lux should be used.

- Wait for a period of at least 5 min to allow the burner conditions to reach equilibrium and then readjust the flame height, if necessary.
- With the temperature/time indicating/recording devices operational, re-position the burner under the copper block.
- Conduct three determinations of the time for the temperature of the copper block to increase from  $100 \text{ }^\circ\text{C} \pm 5 \text{ }^\circ\text{C}$  to  $700 \text{ }^\circ\text{C} \pm 3 \text{ }^\circ\text{C}$ . Allow the copper block to cool naturally in air to below  $50 \text{ }^\circ\text{C}$  between determinations.

NOTE 2 At temperatures above  $700 \text{ }^\circ\text{C}$ , the thermocouple can be easily damaged, therefore it is advisable to remove the burner immediately after reaching  $700 \text{ }^\circ\text{C}$ .

- If the copper block has not been used before, conduct a preliminary run to condition the copper block surface. Discard the result.
- Calculate the mean time in seconds as the result.
- The flame is confirmed if the result is within the range  $23,5 \text{ s} \pm 1,0 \text{ s}$ .
- The flame shall be confirmed in accordance with this Annex A every time the gas supply is changed or replaced.

Dimensions in millimetres



Copper block polished all over

Tolerance:  $\pm 0,1$ ,  $\pm 30$  min (angular), unless otherwise stated

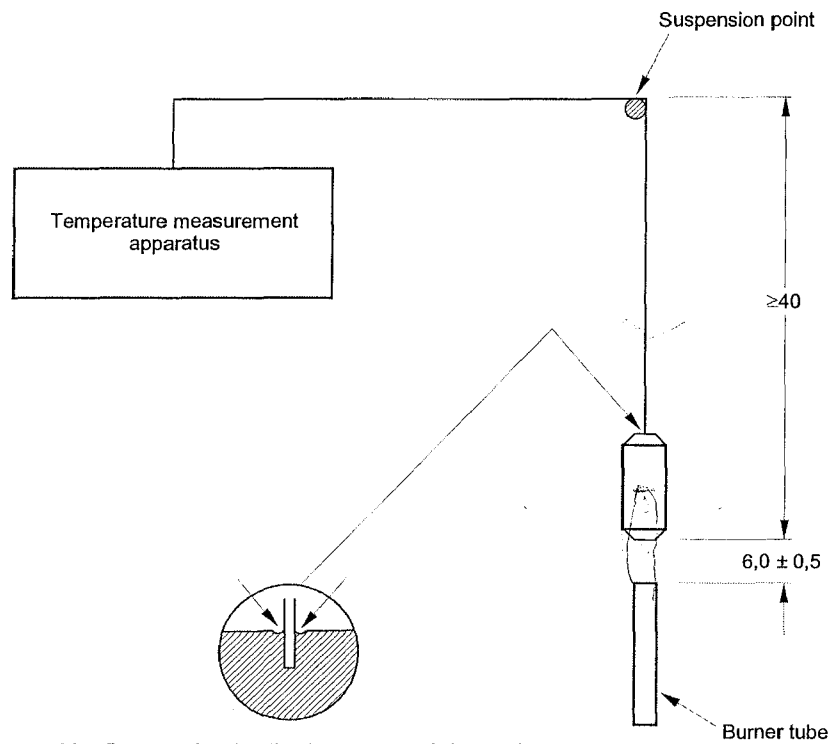
Material: high conductive electrolytic copper Cu-ETP UNS C 11000 (see ASTM-B187)

Weight:  $0,58 \text{ g} \pm 0,01 \text{ g}$  before drilling

Figure A.1 – Copper block



Dimensions in millimetres



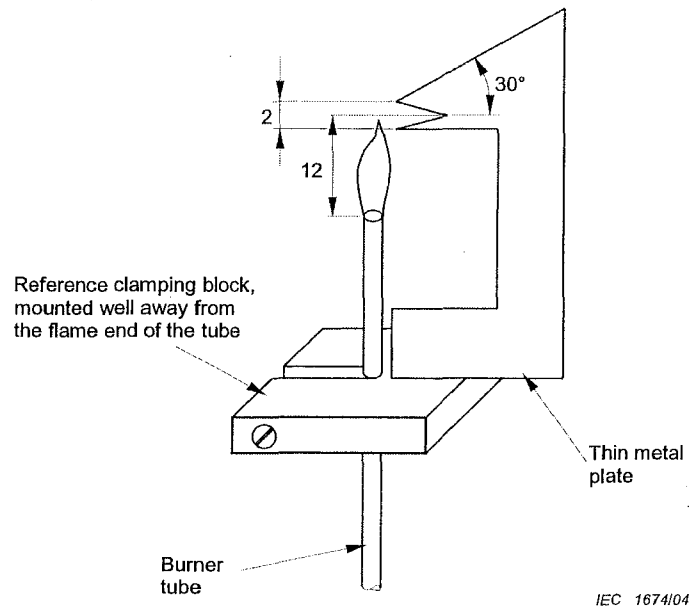
After first ensuring that the thermocouple is inserted to the full depth of the hole, the copper is compressed around thermocouple to retain it without damage

IEC 1673/04

The mode of suspension of the copper block shall be such that the block remains essentially stationary during the test.

**Figure A.2 – Confirmatory test arrangement**

*Dimensions in millimetres*



Tolerance:  $\pm 1$ ,  $\pm 5$  (angular), unless otherwise stated

**Figure A.3 – Gauge to measure flame height (example)**

**Annex B**  
(informative)

**Access to equipment manufacturers and suppliers**

An up-to-date list of equipment manufacturers and suppliers is maintained by the Secretary of IEC technical committee 89. The address details can be found on the IEC website:  
<http://www.iec.ch>

## Bibliography

- [1] ISO 9626:1991, *Stainless steel needle tubing for the manufacture of medical devices*
- [2] IEC 60695-11-40:2002, *Fire hazard testing – Part 11-40: Test flames – Confirmatory tests – Guidance*



Enquête sur les normes

La CEI ambitionne de vous offrir les meilleures normes possibles. Pour nous assurer que nous continuons à répondre à votre attente, nous avons besoin de quelques renseignements de votre part. Nous vous demandons simplement de consacrer un instant pour répondre au questionnaire ci-après et de nous le retourner par fax au +41 22 919 03 00 ou par courrier à l'adresse ci-dessous. Merci !

Centre du Service Clientèle (CSC)

**Commission Electrotechnique Internationale**

3, rue de Varembé

1211 Genève 20

Suisse

ou

Télécopie: **CEI/CSC** +41 22 919 03 00

Nous vous remercions de la contribution que vous voudrez bien apporter ainsi à la Normalisation Internationale.

**A Prioritaire**

Nicht frankieren  
Ne pas affranchir



Non affrancare  
No stamp required

**RÉPONSE PAYÉE**

**SUISSE**

Centre du Service Clientèle (CSC)

**Commission Electrotechnique Internationale**

3, rue de Varembé

1211 GENÈVE 20

Suisse

